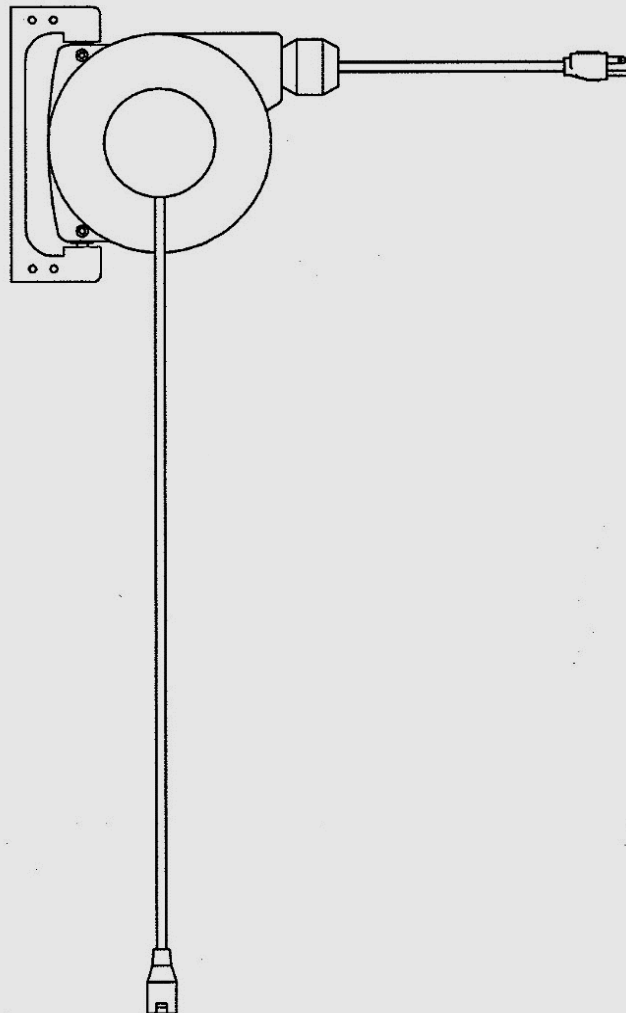


## MAHLE CML-CRFK

EN

Operation Manual  
CML Cord Real  
Retro-fit Kit





**EVERY PERSON WHO OPERATES THIS  
EQUIPMENT NEEDS TO KNOW AND  
UNDERSTAND ALL OF THE INFORMATION IN  
THIS MANUAL – FAILURE TO DO SO COULD  
RESULT IN SERIOUS INJURY OR DEATH.**

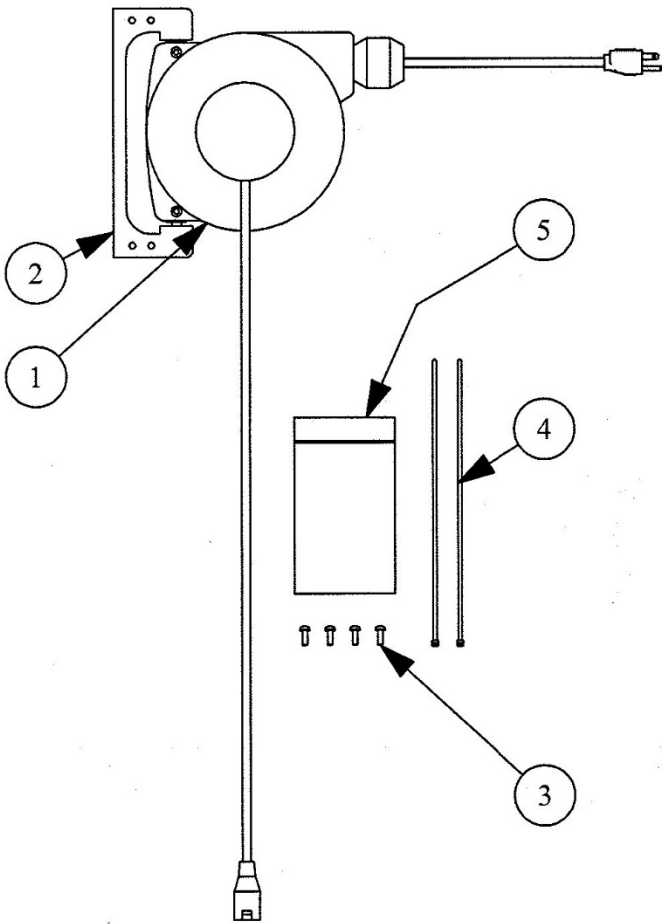
**READ THIS MANUAL  
CAREFULLY AND  
RETAIN FOR YOUR  
RECORDS**

# Contents

---

<b>1. Product Overview.....</b>	<b>4</b>
<b>2. Installing the Cord Reel Retro-fit kit.....</b>	<b>4</b>
2.1 Mount Cord Reel Bracket on Lift.....	4
2.2 Route Output Cord.....	5
2.3 Plug in Output Cord.....	5
2.4 Installation Complete.....	5
<b>3. Notes .....</b>	<b>6</b>

## 1. Product Overview



### Kit Contents:

- 1 Cord Reel, 25' NEMA 5-15P, WLPS
- 2 Cord Reel Mounting Bracket, Retrofit, WLPS
- 3 Screw, Pan Head, 10-32UNF, 5/8" Long w/Ext Lock Washer, Stl, Black Ox (Qty:4)
- 4 Cable Tie, .145" Wide X 11.4" Long, Black (Qty:2)
- 5 Bag, Plastic, 4" X 6"
- 6 Information Folder, Cord Reel Installation, Retro-fit, WPLS

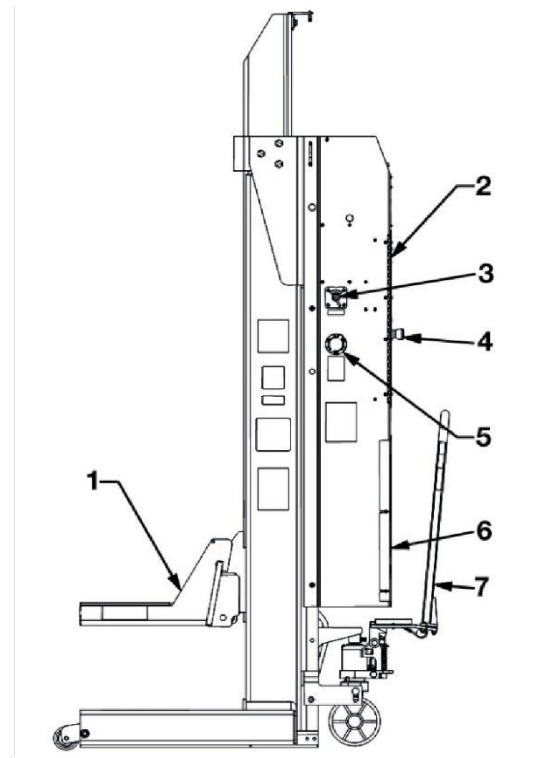
## 2. Installing the Cord Reel Retrofit kit

This kit allows a cord reel to be added to an existing lift.

### 2.1 Mount Cord Reel Bracket on Lift

On the left side of the lift cabinet locate the (4) screws above the master ON/OFF switch

- Loosen the (4) screws and slide the mounting bracket from the cord reel behind the heads of the screws
- Do not fully remove the screws since they are also used to secure a bracket inside the cabinet
  - New screws are supplied in this kit but do not need to be used if the old screws are still in good condition
  - If using the new screws only remove one old screw at a time
- Make sure the slots in the mounting bracket are fully seated downward on the screws and then tighten the screws



**CML series side view**

- 1 Lift carriage
- 2 Door
- 3 Master on/off switch
- 4 Emergency stop switch
- 5 Battery charger cord socket
- 6 Lower cover
- 7 Hydraulic handle

---

## 2.2 Route Output Cord

Measure 9 inches down the output cord and mark this location

- Attach the marked location on the cord to the holes in the mounting bracket using one of the cable ties supplied in this kit
  - Run the cable tie through the (2) holes and use it to secure the cord on the side of the bracket
  - Before fully tightening the cable tie, swing the cord reel throughout its full range of motion and make sure the cord does not rub on the edges of the bracket

**WARNING!** Failure to check whether the cord rubs against the mounting bracket can result in damage to the cord leading to an electrical shock hazard. This hazard could cause serious personal injury or death.

---

## 2.3 Plug in Output Cord

Plug the output cord from the cord reel into the cord inlet on the side of the lift

Bundle the extra cord by forming a series of loops and then secure the loops using a cable tie

- Make sure the bundled cord will not interfere with operation of the Master ON/OFF switch

---

## 2.4 Installation Complete

- Once all the above steps are completed the cord reel is ready to use
- The input cord for the cord reel is approximately 25 feet long and can be connected to any standard 120V AC outlet to recharge the batteries on the lift

## 3. Notes



# MAHLE

**MAHLE Aftermarket Inc.**

916A West State Street,  
St. Johns, MI 48879

Phone: (800) 468-2321

Fax: (717) 755-8304

E-mail: [tech.mss@us.mahle.com](mailto:tech.mss@us.mahle.com)

[www.servicesolutions.mahle.com](http://www.servicesolutions.mahle.com)