

Filters Must be Changed to Maintain Warranty

Replace filters annually or sooner if indicator on the water filter moves into the red area. Failure to change filters will **void the warranty** and may destroy the Nitrogen Membrane. Order Filter Kit, Part Number 355-80025-00. Call RTI at 800-468-2321 to order.



RTI Technologies, Inc.
10 Innovation Drive
York, Pennsylvania 17402
800-468-2321

Replace Filter Elements (Total of 3)

Turn off the air supply.

Depressurize the system until the pressure gauge reads 0 psi.

Slowly unscrew the bleed screw (F - Illustration 1) to ensure that the filter is depressurized.

Turn the filter bowl (E) counter-clockwise and pull the bowl from the filter housing (A).

Unscrew the blue knob (D).

Remove the old filter element (C).

Install a new filter element - each filter element has the part number printed on it. Refer to Illustration 2 to determine correct filter element for each filter.

Screw on the blue knob (D) to secure the new filter element (C).

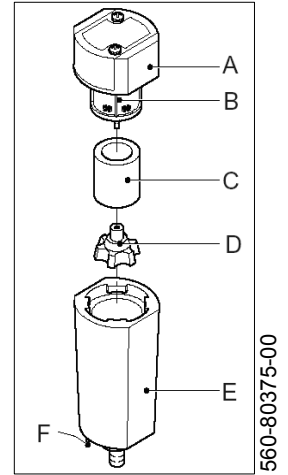


Illustration 1

560-80375-00

Clean Automatic Drains (Filters 1 & 2 only)

Unscrew the nut (F - Illustration 3)

Remove the drain unit (B to E) from the filter bowl (A).

Remove the O-ring (E).

Carefully pull the float assembly (B) from the seat (D). Do not bend the needle (C).

Clean the parts with soap and water. Make sure needle bore is open and clean.

Carefully dry all parts and assemble in the reverse order.

Make sure the bleed screw (F - Illustration 1) is screwed in.

Attach filter bowl (E - Illustration 1) to filter housing (A).

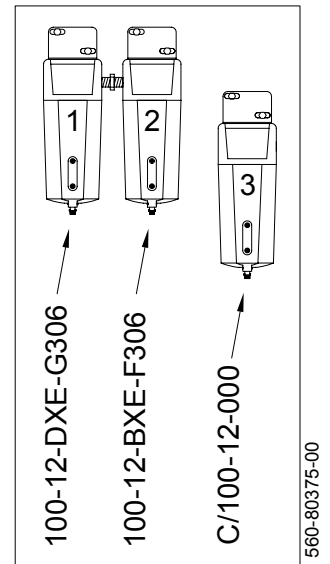


Illustration 2

560-80375-00

Attach Serial Sticker

A label with a serial number is provided with each filter kit. Attach this label on the Filter Change Label (inside the door or on the rear of unit) as proof of date filters were changed. This is required to protect the warranty.

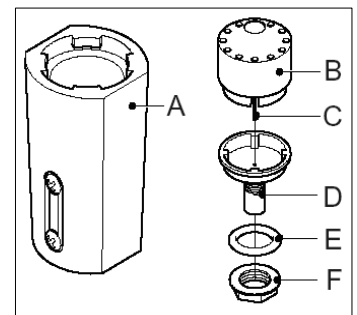


Illustration 3

560-80375-00