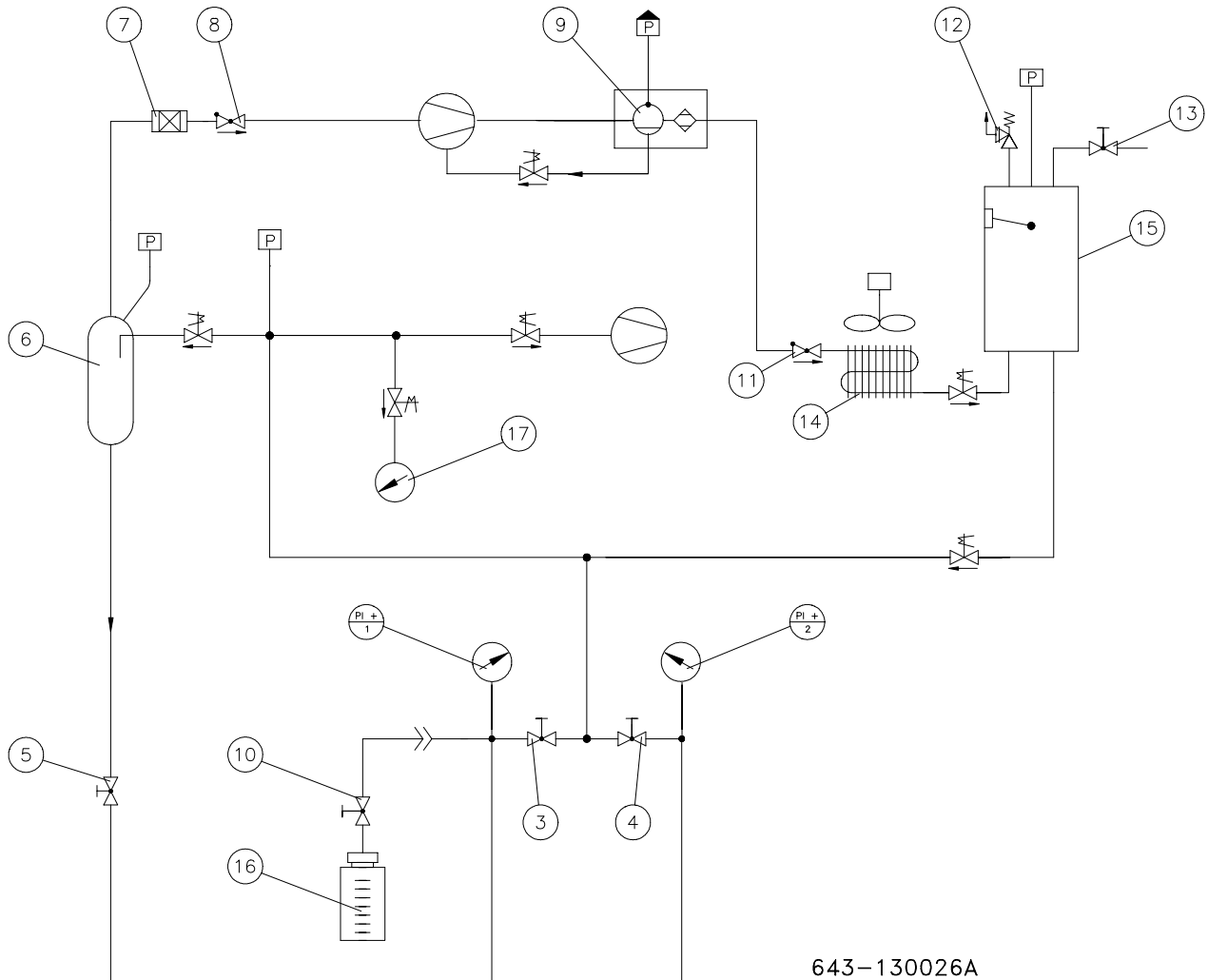


# Flow Diagram RHS500/1:



643-130026A

Pos.	Component
1	High pressure gauge
3	High side valve
5	Oil drain valve
7	Acid/Particle filter
9	Combined oil separator/filter drier
11	Check valve
13	NCG purge valve
15	Charging/Internal cylinder
17	Vacuum gauge

Pos.	Component
2	Low pressure gauge
4	Low side valve
6	Suction accumulator
8	Check valve
10	Oil charge valve
12	Relief valve
14	Condenser coil
16	Refrigeration oil container

570-80081-00